

CALIBRATE **5** TIMES FASTER!

- ✓ Transmitters
- ✓ Control Valves
- ✓ Transducers
- ✓ Pressure Gauges
- ✓ Compression Fittings
- ✓ Conduit / Piping



FasCal

Calibration Connection Devices

No Thread Damage, Wrenches or Pipe Sealant

FasTest's complete line of calibration connection devices feature a patented pressure assisted grip and seal technology that provide leak tight connections, resulting in the highest level of accuracy in the fastest time possible. The ergonomically designed connectors improve productivity, product quality and user comfort.

Choose **FasTest** calibration connectors to eliminate sealants, thread benefit from an quality at reduce

Connectors Designed for Calibration!

FasTest's calibration connectivity devices are specifically designed to meet the most frequent challenges or problems facing technicians that calibrate instruments such as transmitters, pressure gauges and transducers.

Calibration technician challenges:

- Calibrate a large quantity of instruments in a short period of time
- Create leak tight connections to a variety of thread profiles
- Eliminate thread damage to instruments
- Minimize contamination to process media



Calibrate Lots of Instruments - Fast!

FasTest's "plug and play" modular connectors eliminate the traditional process of using tape sealant, wrenches and a bit of muscle to create leak tight connections. Comparisons of the **FasTest** way to traditional methods has shown at least a 5X efficiency improvement.

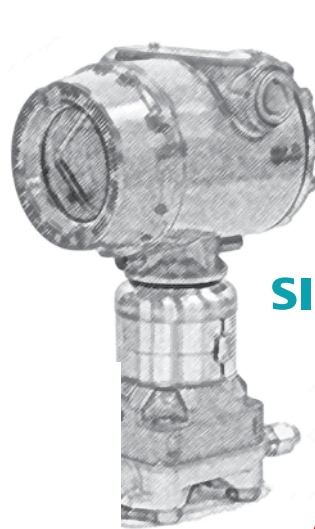
Connectors for the industries most common:

- Calibrators
- Valve Actuators
- Pressure Gauges
- Transducers
- Compression Fittings
- Pipe Threads



YAMATAKE

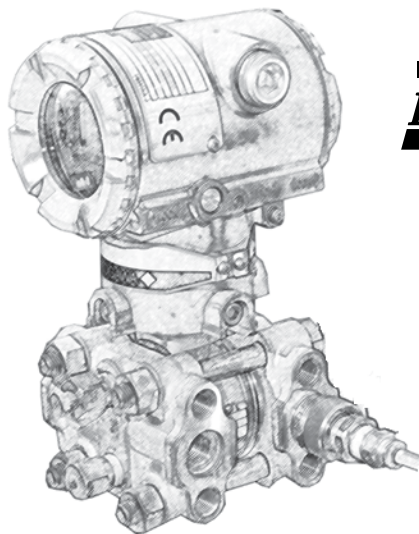
Invensys®
FOXBORO



SIEMENS

ABB

smar



Honeywell



ROSEMOUNT

YOKOGAWA ◆



Connect to a Variety of Profiles - Fast!

Technicians are required to connect to a variety of transmitters, pressure gauges, transducers and other instruments for calibration or maintenance operations. This variety of instruments also comes with a variety of connection sizes as well as internal and external thread profiles.

FasTest transition connectors quickly solve this problem and provide fast connections to popular thread profiles.

- Assembled styles to transition from 1/8" or 1/4" male threads to 1/8", 1/4", 3/8" and 1/2" female threads
- Build your own transitions between the modular **FasCal** connection tools with hose assemblies and fittings



Safe, High Pressure Leak Tight Seals - Fast!

FasTest's patented pressure assisted grip and seal technology delivers repeatable, high pressure and safe leak tight connections. This results in the highest level of accuracy in the fastest time possible.

- Ergonomically designed connection tools reduce operator fatigue and potential injuries
- Pressure rated to 4000, 5000 and 10,000 psi



Eliminate Thread Damage and Contamination

Traditional methods of sealing require a combination of tape sealant, mating thread profiles and torque typically applied with wrenches. Each time a connection is taped and torqued to seal; wear or damage occurs to the mating threads. **FasTest's** grip and seal technology relies on the combination of pressure, seals and patented mechanical design to create leak tight connections.

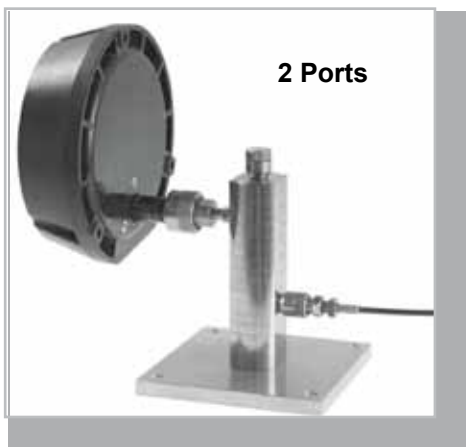
- Eliminate tape and sealants that can contaminate process media and plug ports
- Minimize thread wear and damage
- Eliminate wrenches and torquing

- Calibration Products Selection Guide -

<p>Calibration Manifolds and Accessories</p>  <p>Page 5</p>	<p>Sleeve Actuated Connectors - 60 Series</p>  <p>Pages 6 - 7</p>	<p>Transmitter Connectors Lever / TwistMate</p>  <p>Page 8</p>	<p>Transmitter Vent Port Connector</p>  <p>Page 9</p>
<p>Flange Style Connectors CalMate Series</p>  <p>Pages 10 - 11</p>	<p>Twist Connect for Internal Threads - Twistmate</p>  <p>Pages 12 - 13</p>	<p>Twist Connect for External Threads - Twistmate</p>  <p>Pages 14 - 15</p>	<p>Twist Connect for Comp. Fittings- TwistMate</p>  <p>Page 16</p>
<p>Higher Pressure Connectors - TwistMate</p>  <p>Pages 17 - 19</p>	<p>Twist Connect for Thread Transitions - Twistmate</p>  <p>Page 20</p>	<p>Twist Connect for Flow Benches Transitions</p>  <p>Page 21</p>	<p>Hose Assemblies</p>  <p>Page 22</p>
<p>Basic Calibration Kits</p>  <p>Pages 22 - 23</p>	<p>5000 psi Gauge Calibration Kit</p>  <p>Page 24</p>	<p>Master Lab Calibration Kits</p>  <p>Pages 25 - 27</p>	

FasCal - Lab Manifolds

One of the challenges faced in a calibration lab is making leak tight connections to a wide variety of fitting configurations quickly. In some labs the number of connections per day require productivity tools be used to meet calibration demands. To meet these challenges and demands the **FasCal** Manifold System has been developed. Utilizing Stainless Steel construction this system allows any **FasCal** connector to be mounted on the manifold quickly and without the use of tape or wrenches. Manifolds can be equipped with optional **Fastest** connectors to allow changing sizes or types of connectors efficiently without the use of sealants or wrenches. Optional accessories such as hoses and 1/8" NPT fittings are available to customize the solution for each lab.



Features

- Manifolds rated up to 10,000 PSI
- Compatible with **FasCal** connectors for male and female applications
- Utilizing **FasCal** connectors allows quick change of sizes or types without the use of tape or wrenches
- Additional manifolds can be daisy chained for high volume applications
- Unused ports can be sealed off with **FasCal TwistMate** plugs

Part Number	Ports	Manifold Footprint	Term Thread	Rated PSI	Housing Material
FF020	2	6" x 6" x 6.5" (L x W x H)	1/8" NPT	10,000*	Stainless Steel
FF010	4	15.5" x 6" x 2" (L x W x H)			

*Individual connectors will determine maximum overall system pressure rating.

FasCal - Manifold Fittings and Plugs



Manifold fittings are used to permanently attach **FasCal** connectors to the manifold or combine connectors together. Hex head manifold plugs are ideal for capping unused ports with mounted connectors (see cover).



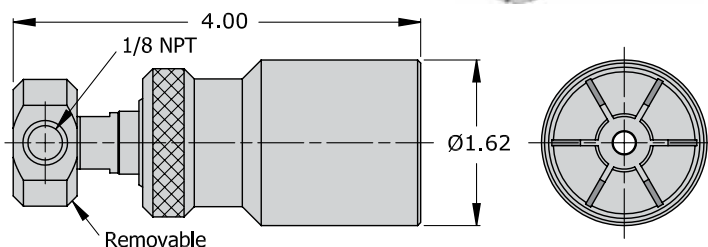
Part Number	Style	Thread Size	Rating PSI
APN022	Fitting	1/8" NPT Male to 1/8" NPT Male	10,000
APP02H	Plug	1/8" NPT Male	
APP06H		1/4" NPT Male	
APP06H		3/8" NPT Male	
APP08H		1/2" NPT Male	

FasCal - Sleeve Actuated Connectors - HPB Series



Fastest sleeve actuated **HPB** connectors are the preferred method for fast, safe and repeatable connections to *Swagelok*[®], *Ferulok*[®] or similar compression fittings as well as male NPT and “AN” 37° flare style male threads. Simply push on to fitting to connect; pull sleeve away from connection to release.

- Safety feature will not allow disconnect under pressure
- Instant connections from vacuum to 5000 psi
- No damage to threaded parts during calibration



For Compression Fittings

Part Number	Connects to	Rated PSI	Housing Material	Seal Material	Main Seals Package (5)
HPB-CF04021	1/4" (7/16-20) <i>Swagelok</i>	5000	Stainless Steel	Buna N	S1008-B70
HPB-CF06021	3/8" (9/16-20) <i>Swagelok</i>	5000			S1011-B70
HPB-CF08021	1/2" (3/4-20) <i>Swagelok</i>	5000			S1013-B70
HPB-CF04021F	1/4" (7/16-20) <i>Ferulok</i>	5000			S1008-B70
HPB-CF06021F	3/8" (9/16-18) <i>Ferulok</i>	5000			S1011-B70
HPB-CF08021F	1/2" (3/4-16) <i>Ferulok</i>	5000			S1013-B70

For NPT Male Threads

Part Number	Connects to	Rated PSI	Housing Material	Seal Material	Main Seals Package (5)
HPB-041021	1/4" NPT	5000	Stainless Steel	Buna N	S1008-B70
HPB-061021	3/8" NPT	5000			S1011-B70
HPB-081021	1/2" NPT	5000			S1013-B70

For “AN” 37° Flare Male Threads

Part Number	Connects to	Rated PSI	Housing Material	Seal Material	Main Seals Package (5)
HPB-049021	- 4 (7/16-20)	5000	Stainless Steel	Buna N	S2070-0270B70
HPB-069021	- 6 (9/16-18)	5000			S1012-B70
HPB-089021	- 8 (3/4-16)	5000			S1015-B70

Notes:

Optional seal materials available are FKM (Viton) and EPDM.

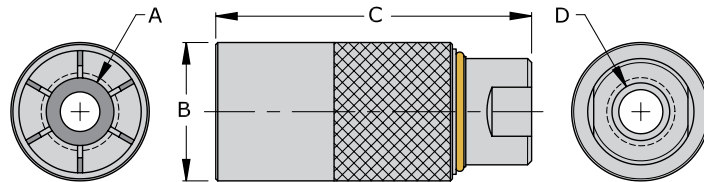
Examples: HPB-xxx021**V** = FKM
 HPB-xxx021**E** = EPDM

FasCal - Sleeve Actuated Connectors - 60 Series



Fastest sleeve actuated **60 Series** connectors are ideal fast, safe and repeatable connections to a wide variety of thread used in process and manufacturing industries for filling, pressure and leak testing, and instrument calibration. Simply insert male threaded end into the connector and push the latching sleeve forward to complete the connection. Remove test pressure and pull back the latching sleeve to release the connection.

- Instant connections from vacuum to 750 psi
- Connect to 1/4" and 1/2" NPT, SAE 37° Flare "AN" and compression fittings
- No wrenches, sealants or thread damage
- Rugged stainless steel housing



For Double Ferrule Compression Style Fittings - Swagelok[®]

Part Number	Connects to Dim "A"	Diameter Dim "B"	Length Dim "C"	Term. Thread Dim "D"	Rated PSI	Housing Material	Seal Material	Main Seals Package (5)
60G-CF04	-4 (7/16-20)	0.99"	2.95"	1/8" NPT	750	Stainless Steel	Buna N	S1008-B70

For NPT Pipe Threads

Part Number	Connects to Dim "A"	Diameter Dim "B"	Length Dim "C"	Term. Thread Dim "D"	Rated PSI	Housing Material	Seal Material	Main Seals Package (5)
60G-1T02	1/8" NPT	0.99"	2.95"	1/8" NPT	750	Stainless Steel	Buna N	S1105-B70
60G-1T04021	1/4" NPT	1.19"	2.95"	1/8" NPT				S1109-B70
60G-1T08021	1/2" NPT	1.58"	3.15"	1/8" NPT				S1112-B70

For "AN" 37° Flare Male Threads

Part Number	Connects to Dim "A"	Diameter Dim "B"	Length Dim "C"	Term. Thread Dim "D"	Rated PSI	Housing Material	Seal Material	Main Seals Package (5)
60G-049	-4 (7/16-20)	0.99"	2.95"	1/8" NPT	750	Stainless Steel	Buna N	S1010-B70
60G-069	-6 (9/16-18)	1.38"	3.15"	3/8" NPT				S1012-B70
60G-089	-8 (3/4-16)	1.38"	3.15"	3/8" NPT				S1014-B70

Notes:

Additional sizes available for 60 Series connectors. Consult factory for details.

Optional seal materials available are FKM (Viton) and EPDM.

Examples: 60G-xxxV = FKM

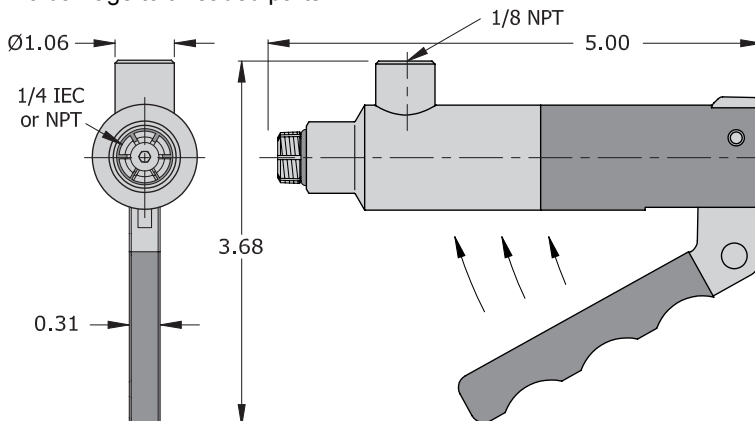
60G-xxxE = EPDM

FasCal - Lever Actuated for 1/4" IEC Transmitter Ports and 1/4" NPT



FasTest lever actuated connectors are an ideal method for fast, safe and repeatable connections to all types of transmitters. Simply squeeze the lever and insert into 1/4" threaded port; release lever for an instant leak tight and high pressure connection.

- Compatible to 1/4" NPT and 1/4" (IEC 61518) 2.126 (54) process flange ports
- Instant connections to 5000 psi eliminates tape, sealants and wrenches
- No damage to threaded parts



Part Number	Connects to	Rated PSI	Housing Material	Seal Material	Main Seals Package (5)
L042021TM	1/4" NPT	5000	Stainless Steel	Buna N	SL042-B

Notes:

Optional seal materials available are FKM (Viton) and EPDM.

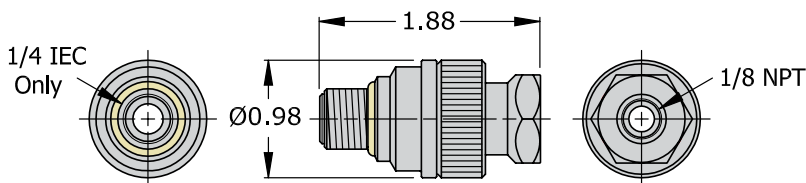
Examples: L042021TM \mathbf{V} = FKM L042021TM \mathbf{E} = EPDM

FasCal - "Twist to Connect" Connectors for 1/4" IEC Transmitter Ports



TwistMates unique "twist to connect" and pressure assisted grip and seal delivers fast, safe and repeatable connections. The connector's internal swivel also allows easy installation while plumbed (connected) to a supply line. Simply twist the connector to finger tight for an instant leak tight and high pressure connection.

- Compatible to 1/4" (IEC 61518) 2.126 (54) process flange ports
- Instant connections to 5000 psi eliminates tape, sealants and wrenches
- No damage to threaded parts
- Durable stainless steel



Part Number	Connects to	Rated PSI	Housing Style	Seal Material	Repair Kit	Main Seals Package (5)
MIT-042021TM	1/4" IEC	5000	Swivel	Urethane	MITR-040	S1111-U70

Notes:

Optional seal materials available are FKM (Viton) and EPDM.

Examples: MIT-042021TM \mathbf{V} = FKM MIT-042021TM \mathbf{E} = EPDM

FasCal - Vent Port Connector for Transmitter Bleed Ports



The **FasTest VP Series** connector is designed for insertion into a transmitter vent plug. The product is used by removing the vent bleed port plug and inserting and tightening the VP series calibration connector. The **VP Series** has a standard 1/8" NPT termination port that connects onto a **FasCal** hose assembly just like the other calibration connectors from **FasTest** for the ultimate plug and play flexibility.



Features

- Compatible with Rosemount, ABB, Invensys, Endress+Hauser, Yokogawa and transmitters with a 5/16" vent plug
- Produced from heat treated 416 Stainless Steel host material
- Compatible with **FasCal** hose assembly and other calibration devices

Vent Port Calibration Adapter

Part Number	Connects to	Termination Thread	Rated PSI	Housing Material
VP51624021	5/16" vent plug	1/8" NPT	5000	Stainless Steel

CalMate flange connectors provide quick, temporary connections for calibrating gauges or transmitters equipped with sanitary diaphragms. For applications in process or on the bench in the lab, the connector enables devices to be connected in a fraction of the time compared to cumbersome swinging tri-clamp configurations.

When used with the **FasCal** hose solution, connectors can be changed for units of different sizes without the use of tape or sealants and no wrenches.

CalMate™



Applications / Configurations



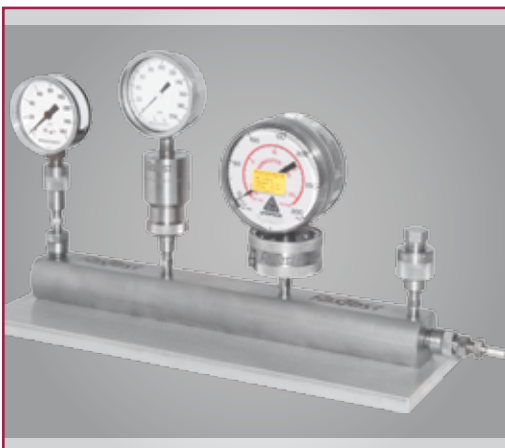
Gauges

Gauge calibration often is one of the most time consuming tasks faced by a metrology group. The time required to achieve leak tight connections can be reduced when a **CalMate** connector is used, improving metrologist's productivity. Whether the task is in process in a cramped pharmaceutical suite or on a bench in a lab, the connection will be made in seconds.



Transmitters

Calibration connections to sanitary diaphragms on transmitters in the past has been difficult. A swinging tri-clamp configuration is cumbersome to close and lock and in tight quarters difficult to apply. The **CalMate's** click and twist motion quickly locks the connector onto transmitters diaphragm, even in cramped quarters.



Manifolds

The **CalMate** can be mounted on the **FasCal** FF010 manifold. For use in lab environments, the manifold provides a solid platform capable of supporting multiple gauges or transmitters for calibrating up to four gauges at once. Manifolds can be equipped with optional **Fastest** connectors to allow changing sizes or types of connectors efficiently without the use of sealants or wrenches.

Connectorization

Quick Change Hose Assembly

As a component of a family of products, the **CalMate** is compatible with the **FasCal** hose assembly. The hose equipped with **Fastest** connectors attaches to the **CalMate** without the use of wrenches or sealant. Eliminating the use of sealant reduces the possibility of sealant plugging an instrument port. Changing from one size or style of connector to another is completed in a few seconds. The small diameter of the hose minimizes nitrogen usage or if a hand pump is being used, operator fatigue.

CalMate pictured with:

Hose assembly: HP022X036
Quick connectors: MIT-022021



Operational Instructions



Step 1: Retract Collar

Slide collar to open position. This opens the connector locking assembly.



Step 2: Insert Diaphragm & Extend

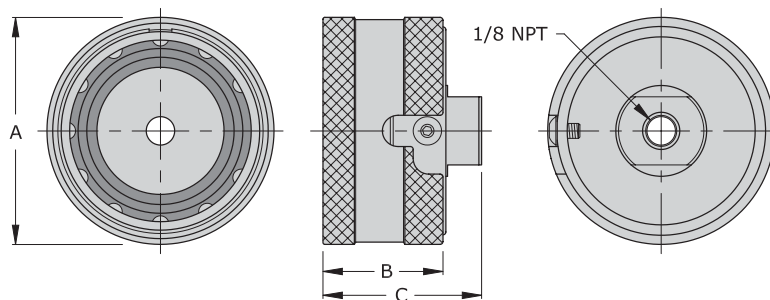
Place the diaphragm of the gauge or transmitter into the connector. Extend collar to the locked position.



Step 3: Twist to Secure

Rotate the collar to secure the connector to the diaphragm. This rotation compresses the diaphragm against the provided gasket and creates a leak tight seal. The rotation allows the connector to adjust for variations in diaphragm flange or gasket thicknesses.

Technical Drawing



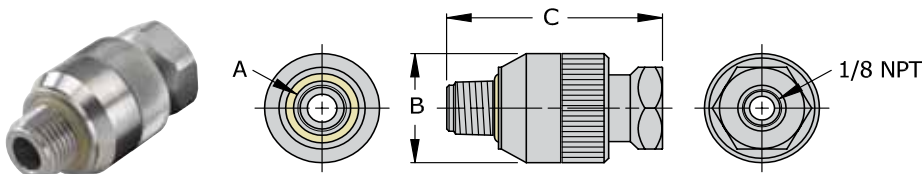
Part Number	Connects To	Diameter Dim "A"	Sleeve Length Dim "B"	Length Dim "C"	Rated PSI	Housing Material	Seal Material	Main Seals Package (5)
SA050	1/2" or 3/4"	1.560"	1.200"	1.580"	300	Stainless Steel	Neoprene	SAGB075B
SA100	1" or 1-1/2"	2.500"	1.320"	1.750"				SAGB150B
SA200	2"	3.100"	1.370"	1.800"				SAGB200B

FasCal - "Twist to Connect" Connectors for Female Threads



TwistMates unique "twist to connect" and pressure assisted grip and seal delivers fast, safe and repeatable threaded connections. Simply twist the connector to finger tight for an instant leak tight and high pressure connection.

- Compatible to NPT, BSPP, BSPT and SAE threads
- Plug versions are also available to quickly seal a threaded port
- Instant connections to 4000 or 5000 psi eliminates tape, sealants and wrenches
- Swivel style allows easy installation while connected to a supply line
- No damage to threaded parts
- Durable stainless steel



Swivel Style for NPT Threads

Part Number	Connects to Dim "A"	Diameter Dim "B"	Length Dim "C"	Rated PSI	Housing Style	Seal Material	Repair Kits	Main Seals Package (5)
MIT-022021	1/8" NPT	0.82"	1.68"	5000	Swivel	Urethane	MITR-020	S1109-U70
MIT-042021	1/4" NPT	1.00"	1.88"	5000			MITR-040	S1111-U70
MIT-062021	3/8" NPT	1.18"	2.09"	4000			MITR-060	S1113-U70
MIT-082021	1/2" NPT	1.36"	2.57"	4000			MITR-080	S1209-U70

Swivel Style for BSPP Threads

Part Number	Connects to Dim "A"	Diameter Dim "B"	Length Dim "C"	Rated PSI	Housing Style	Seal Material	Repair Kits	Main Seals Package (5)
MIT-026021	1/8" BSPP	0.82"	1.68"	5000	Swivel	Urethane	MITR-020	S1109-U70
MIT-046021	1/4" BSPP	1.00"	1.88"	5000			MITR-040	S1111-U70
MIT-066021	3/8" BSPP	1.18"	2.09"	4000			MITR-060	S1113-U70
MIT-086021	1/2" BSPP	1.36"	2.57"	4000			MITR-080	S1209-U70

Swivel Style for BSPT Threads

Part Number	Connects to Dim "A"	Diameter Dim "B"	Length Dim "C"	Rated PSI	Housing Style	Seal Material	Repair Kits	Main Seals Package (5)
MIT-026T021	1/8" BSPT	0.82"	1.68"	5000	Swivel	Urethane	MITR-020	S1109-U70
MIT-046T021	1/4" BSPT	1.00"	1.88"	5000			MITR-040	S1111-U70
MIT-066T021	3/8" BSPT	1.18"	2.09"	4000			MITR-060	S1113-U70
MIT-086T021	1/2" BSPT	1.36"	2.57"	4000			MITR-080	S1209-U70

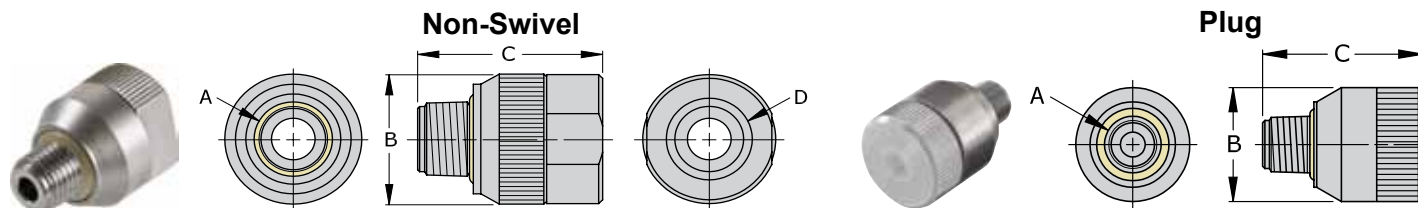
Notes:

Optional seal materials available are FKM (Viton) and EPDM.

Examples: MIT-022021**V** = FKM

MIT-022021**E** = EPDM

FasCal - "Twist to Connect" Connectors for Female Threads



Non-Swivel Style for Female NPT and SAE O-Ring Boss

Part Number	Connects to Dim "A"	Diameter Dim "B"	Length Dim "C"	Term Thd Dim "D"	Rated PSI	Housing Style	Seal Material	Repair Kits	Main Seals Package (5)
MIT-022021X	1/8" NPT	0.82"	1.24"	1/8" NPT	5000	Non Swivel	Urethane	MITR-02	S1109-U70
MIT-044021X	-4 (7/16-20)	0.82"	1.29"	1/8" NPT	5000			MITR-04	S1111-U70
MIT-064041X	-6 (9/16-18)	1.00"	1.41"	1/4" NPT	5000			MITR-08	S1209-U70
MIT-084081X	-8 (3/4-16)	1.36"	1.85"	1/2" NPT	4000			MITR-12	S1209-U70
MIT-104081X	-10 (7/8-14)	1.36"	1.85"	1/2" NPT	4000				S1213-U70
MIT-124121X	-12 (1 1/16-12)	1.68"	1.94"	3/4" NPT	4000			MITR-16	S1216-U70
MIT-144161X	-14 (1 3/16-12)	2.00"	2.13"	1" NPT	4000				S1217-U70
MIT-164161X	-16 (1 5/16-12)	2.00"	2.13"	1" NPT	4000				S1217-U70

Plug Style for NPT Threads

Part Number	Connects to Dim "A"	Diameter Dim "B"	Length Dim "C"	Rated PSI	Housing Style	Seal Material	Repair Kits	Main Seals Package (5)
MIT-022P	1/8" NPT	0.81"	1.24"	5000	Plug	Urethane	MITR-02	S1109-U70
MIT-042P	1/4" NPT	1.00"	1.41"	5000			MITR-04	S1111-U70
MIT-062P	3/8" NPT	1.18"	1.49"	4000			MITR-06	S1113-U70
MIT-082P	1/2" NPT	1.36"	1.85"	4000			MITR-08	S1209-U70

Plug Style for BSPP Threads

Part Number	Connects to Dim "A"	Diameter Dim "B"	Length Dim "C"	Rated PSI	Housing Style	Seal Material	Repair Kits	Main Seals Package (5)
MIT-026P	1/8" BSPP	0.81"	1.24"	5000	Plug	Urethane	MITR-02	S1109-U70
MIT-046P	1/4" BSPP	1.00"	1.41"	5000			MITR-04	S1111-U70
MIT-066P	3/8" BSPP	1.18"	1.49"	4000			MITR-06	S1113-U70
MIT-086P	1/2" BSPP	1.36"	1.85"	4000			MITR-08	S1209-U70

Plug Style for BSPT Threads

Part Number	Connects to Dim "A"	Diameter Dim "B"	Length Dim "C"	Rated PSI	Housing Style	Seal Material	Repair Kits	Main Seals Package (5)
MIT-026TP	1/8" BSPT	0.81"	1.24"	5000	Plug	Urethane	MITR-02	S1109-U70
MIT-046TP	1/4" BSPT	1.00"	1.41"	5000			MITR-04	S1111-U70
MIT-066TP	3/8" BSPT	1.18"	1.49"	4000			MITR-06	S1113-U70
MIT-086TP	1/2" BSPT	1.36"	1.85"	4000			MITR-08	S1209-U70

Notes:

Optional seal materials available are FKM (Viton) and EPDM.

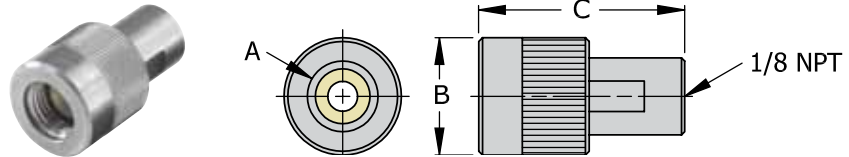
Examples: MIT-044021X**V** = FKM MIT-022P**V** = FKM
 MIT-044021X**E** = EPDM MIT-022P**E** = EPDM

FasCal - "Twist to Connect" Connectors for Male Threads



TwistMates unique "twist to connect" and pressure assisted grip and seal delivers fast, safe and repeatable threaded connections. Simply twist the connector to finger tight for an instant leak tight and high pressure connection.

- Compatible to NPT, BSPP, BSPT and SAE threads
- Instant connections to 4000 or 5000 psi eliminates tape, sealants and wrenches
- Internal swivel allows easy installation while connected to a supply line
- No damage to threaded parts
- Durable stainless steel



Swivel Style for NPT Threads

Part Number	Connects to Dim "A"	Diameter Dim "B"	Length Dim "C"	Rated PSI	Housing Style	Seal Material	Repair Kits	Main Seals Package (5)
MET-021021	1/8" NPT	0.80"	1.62"	5000	Swivel	Urethane	METR-02	S1105-U70
MET-041021	1/4" NPT	0.93"	1.63"	5000			METR-04	S1108-U70
MET-061021	3/8" NPT	1.20"	1.31"	4000			METR-06	S1110-U70
MET-081021	1/2" NPT	1.36"	1.46"	4000			METR-08	S1112-U70

Swivel Style for SAE 37° Flare - "AN" Type

Part Number	Connects to Dim "A"	Diameter Dim "B"	Length Dim "C"	Rated PSI	Housing Style	Seal Material	Repair Kits	Main Seals Package (5)
MET-049021	-4 (7/16-20)	0.80"	1.62"	5000	Swivel	Urethane	METR-049	S2070-0270B70
MET-069021	-6 (9/16-18)	0.93"	1.63"	5000			METR-06	S1012-B70
MET-089021	-8 (3/4-16)	1.20"	1.31"	4000			METR-08	S1015-B70

Swivel Style for BSPP Threads

Part Number	Connects to Dim "A"	Diameter Dim "B"	Length Dim "C"	Rated PSI	Housing Style	Seal Material	Repair Kits	Main Seals Package (5)
MET-025021	1/8" BSPP	0.80"	1.62"	5000	Swivel	Urethane	METR-02	S1105-U70
MET-045021	1/4" BSPP	0.93"	1.63"	5000			METR-04	S1108-U70
MET-065021	3/8" BSPP	1.20"	1.31"	4000			METR-06	S1110-U70
MET-085021	1/2" BSPP	1.36"	1.46"	4000			METR-08	S1112-U70

Swivel Style for BSPT Threads

Part Number	Connects to Dim "A"	Diameter Dim "B"	Length Dim "C"	Rated PSI	Housing Style	Seal Material	Repair Kits	Main Seals Package (5)
MET-025T021	1/8" BSPT	0.80"	1.62"	5000	Swivel	Urethane	METR-02	S1105-U70
MET-045T021	1/4" BSPT	0.93"	1.63"	5000			METR-04	S1108-U70
MET-065T021	3/8" BSPT	1.20"	1.31"	4000			METR-06	S1110-U70
MET-085T021	1/2" BSPT	1.36"	1.46"	4000			METR-08	S1112-U70

Notes:

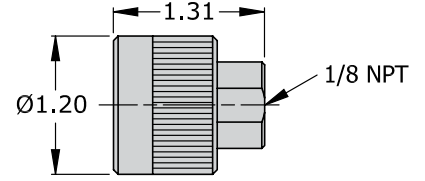
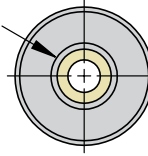
Optional seal materials available are FKM (Viton) and EPDM.

Examples: MET-041021**V** = FKM MET-041021**E** = EPDM

FasCal - "Twist to Connect" Connectors for Male Threads

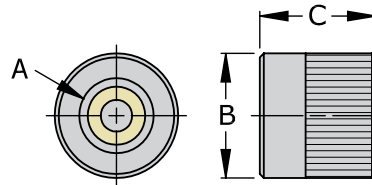


9/16-18 UNF



Swivel Style for MIL Spec 18997 Threads

Part Number	Connects to	Rated PSI	Housing Style	Seal Material	Repair Kit	Main Seals Package (5)
MET-06-18997-021	9/16-18 MIL Spec 18997	4000	Swivel	Urethane	METR-06	S1109-U70



Cap Style for NPT Threads

Part Number	Connects to Dim "A"	Diameter Dim "B"	Length Dim "C"	Rated PSI	Housing Style	Seal Material	Repair Kits	Main Seals Package (5)
MET-021C	1/8" NPT	0.80"	0.83"	5000	Cap	Urethane	METR-02	S1105-U70
MET-041C	1/4" NPT	0.93"	0.88"	5000			METR-04	S1108-U70
MET-061C	3/8" NPT	1.20"	0.90"	4000			METR-06	S1110-U70
MET-081C	1/2" NPT	1.36"	0.97"	4000			METR-08	S1112-U70

Cap Style for BSPP Threads

Part Number	Connects to Dim "A"	Diameter Dim "B"	Length Dim "C"	Rated PSI	Housing Style	Seal Material	Repair Kits	Main Seals Package (5)
MET-025C	1/8" BSPP	0.80"	0.83"	5000	Cap	Urethane	METR-02	S1105-U70
MET-045C	1/4" BSPP	0.93"	0.88"	5000			METR-04	S1108-U70
MET-065C	3/8" BSPP	1.20"	0.90"	4000			METR-06	S1110-U70
MET-085C	1/2" BSPP	1.36"	0.97"	4000			METR-08	S1112-U70

Cap Style for BSPT Threads

Part Number	Connects to Dim "A"	Diameter Dim "B"	Length Dim "C"	Rated PSI	Housing Style	Seal Material	Repair Kits	Main Seals Package (5)
MET-025TC	1/8" BSPT	0.80"	0.83"	5000	Cap	Urethane	METR-02	S1105-U70
MET-045TC	1/4" BSPT	0.93"	0.88"	5000			METR-04	S1108-U70
MET-065TC	3/8" BSPT	1.20"	0.90"	4000			METR-06	S1110-U70
MET-085TC	1/2" BSPT	1.36"	0.97"	4000			METR-08	S1112-U70

Notes:

Optional seal materials available are FKM (Viton) and EPDM.

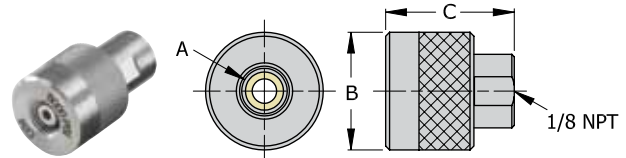
Examples: MET-021C**V** = FKM MET-021C**E** = EPDM

FasCal - "Twist to Connect" Connectors for Compression Fittings



TwistMates unique "twist to connect" and pressure assisted grip and seal delivers fast, safe and repeatable connections to *Swagelok*®, *Ferulok*® or similar style compression fittings. The connector's internal swivel allows easy installation while plumbed (connected) to a supply line. Simply twist the connector to finger tight for an instant leak tight and high pressure connection.

- Compatible to 1/4", 3/8" and 1/2" *Swagelok* and *Ferulok* style compression fittings
- Instant connections to 4000 or 5000 psi eliminates tape, sealants and wrenches
- No damage to threaded parts
- Durable stainless steel

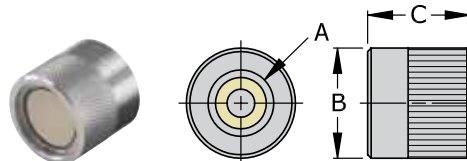


Double Ferrule Compression Fittings - Swivel Style for Swagelok and Similar Profiles

Part Number	Connects to Dim "A"	Diameter Dim "B"	Length Dim "C"	Rated PSI	Housing Style	Seal Material	Repair Kits	Main Seals Package (5)
MET-CF04021	1/4" (7/16-20)	0.95"	1.63"	5000	Swivel	Urethane	METR-049	S1008-B70
MET-CF06021	3/8" (9/16-20)	1.20"	1.31"	4000			METR-06	S1011-B70
MET-CF08021	1/2" (3/4-20)	1.38"	1.46"	4000			METR-08	S1013-B70

Single Ferrule Compression Fittings - Swivel Style for Ferulok and Similar Profiles

Part Number	Connects to Dim "A"	Diameter Dim "B"	Length Dim "C"	Rated PSI	Housing Style	Seal Material	Repair Kits	Main Seals Package (5)
MET-CF04021F	1/4" (7/16-20)	0.95"	1.63"	5000	Swivel	Urethane	METR-049	S1008-B70
MET-CF06021F	3/8" (9/16-18)	1.20"	1.31"	4000			METR-06	S1011-B70
MET-CF08021F	1/2" (3/4-16)	1.38"	1.46"	4000			METR-08	S1013-B70



Double Ferrule Compression Fittings - Cap Style for Swagelok and Similar Profiles

Part Number	Connects to Dim "A"	Diameter Dim "B"	Length Dim "C"	Rated PSI	Housing Style	Seal Material	Repair Kits	Main Seals Package (5)
MET-CF04C	1/4" (7/16-20)	0.95"	0.88"	5000	Cap	Urethane	N/A	S1008-B70
MET-CF06C	3/8" (9/16-20)	1.20"	0.90"	4000				S1011-B70
MET-CF08C	1/2" (3/4-20)	1.38"	0.97"	4000				S1013-B70

Single Ferrule Compression Swivel Style Fittings - Ferulok and Similar Profiles

Part Number	Connects to Dim "A"	Diameter Dim "B"	Length Dim "C"	Rated PSI	Housing Style	Seal Material	Repair Kits	Main Seals Package (5)
MET-CF04CF	1/4" (7/16-20)	0.95"	0.88"	5000	Cap	Urethane	N/A	S1008-B70
MET-CF06CF	3/8" (9/16-18)	1.20"	0.90"	4000				S1011-B70
MET-CF08CF	1/2" (3/4-16)	1.38"	0.97"	4000				S1013-B70

Notes:

Optional seal materials available are FKM (Viton) and EPDM.

Examples: MET-CF04021**Y** = FKM MET-CF04021**E** = EPDM

Higher Pressure Connection Devices

CALIBRATE **5** TIMES FASTER!

- ✓ Aerospace
- ✓ Military
- ✓ Naval
- ✓ Power Generation
- ✓ Industrial Applications



FasCal - "Twist to Connect" TwistMate[®] Technology

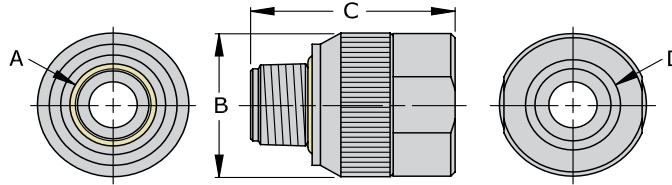


Traditional methods of sealing require a combination of tape sealant, mating thread profiles and torque typically applied with wrenches. Each time a connection is taped and torqued to seal; wear or damage occurs to the mating threads.

TwistMates unique "twist to connect" and pressure assisted grip and seal delivers fast, safe and repeatable threaded connections. Simply twist the connector to finger tight for an instant leak tight and high pressure connection.

- Compatible to male and female NPT, 37° Flare/AN standard and SAE O-Ring threads
- Instant connections from vacuum to 10,000 psi eliminate tape, sealant and wrenches
- No damage to threaded parts
- Minimize contamination to process media
- Durable stainless steel

FasCal - "Twist to Connect" Connectors for Female Threads



Higher Pressure Connectors for NPT Female Threads

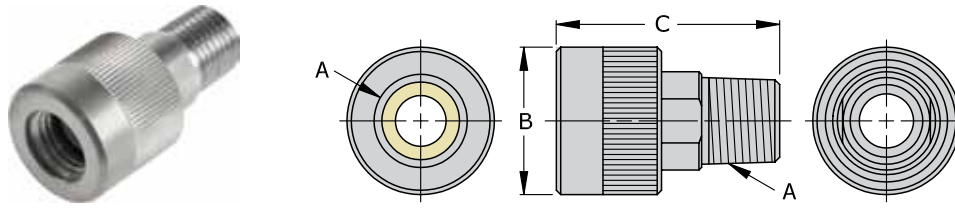
Part Number	Connects to Dim "A"	Diameter Dim "B"	Length Dim "C"	Term Thd Dim "D"	Rated PSI	Housing Style	Seal Material	Repair Kits	Main Seals Package (5)
MITH-022021X	1/8" NPT	0.82"	1.24"	1/8" NPT	10,000	Non Swivel	Urethane	MITR-02	S1109-U70
MITH-042041X	1/4" NPT	1.00"	1.41"	1/4" NPT	10,000			MITR-04	S1111-U70
MITH-062061X	3/8" NPT	1.18"	1.48"	3/8" NPT	10,000			MITR-06	S1113-U70
MITH-082081X	1/2" NPT	1.36"	1.85"	1/2" NPT	8000			MITR-08	S1209-U70
MITH-122121X	3/4" NPT	1.68"	1.94"	3/4" NPT	7500			MITR-12	S1213-U70
MITH-162161X	1" NPT	2.00"	2.07"	1" NPT	6500			MITR-16	S1216-U70

Higher Pressure Connectors for Female SAE O-Ring Boss

Part Number	Connects to Dim "A"	Diameter Dim "B"	Length Dim "C"	Term Thd Dim "D"	Rated PSI	Housing Style	Seal Material	Repair Kits	Main Seals Package (5)
MITH-044021X	-4 (7/16-20)	0.82"	1.29"	1/8" NPT	10,000	Non Swivel	Urethane	MITR-02	S1109-U70
MITH-064041X	-6 (9/16-18)	1.00"	1.41"	1/4" NPT	10,000			MITR-04	S1111-U70
MITH-084081X	-8 (3/4-16)	1.36"	1.85"	1/2" NPT	8000			MITR-08	S1209-U70
MITH-104081X	-10 (7/8-14)	1.36"	1.85"	1/2" NPT	7500				S1209-U70
MITH-124121X	-12 (1 1/16-12)	1.68"	1.94"	3/4" NPT	7500			MITR-12	S1213-U70
MITH-144161X	-14 (1 3/16-12)	2.00"	2.13"	1" NPT	7000			MITR-16	S1216-U70
MITH-164161X	-16 (1 5/16-12)	2.00"	2.13"	1" NPT	7000				S1217-U70

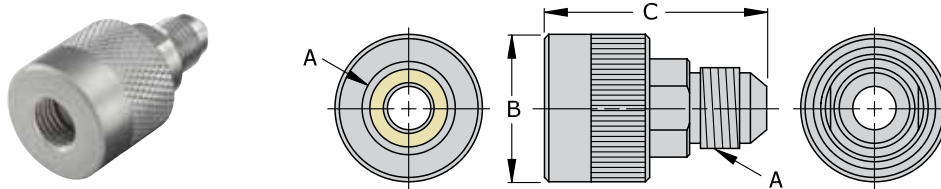
For Skydrol hydraulic fluid use, specify EPR seal material - "E".
 Example: Connector - MITH-042041X**E** Seal Set - S1111-**E**70

FasCal - "Twist to Connect" Connectors for Male Threads



Higher Pressure Connectors for NPT Male Threads

Part Number	Connects to Dim "A"	Diameter Dim "B"	Length Dim "C"	Rated PSI	Housing Style	Seal Material	Repair Kits	Main Seals Package (5)
METH-021022	1/8" NPT	0.82"	1.51"	10,000	Swivel	Urethane	METR-02	S1105-U70
METH-041042	1/4" NPT	0.94"	1.74"	8000			METR-04	S1108-U70
METH-061062	3/8" NPT	1.18"	1.78"	8000			METR-06	S1110-U70
METH-081082	1/2" NPT	1.60"	2.05"	6000			METR-08	S1112-U70
METH-121122	3/4" NPT	1.68"	2.34"	5000			METR-12	S1115-U70
METH-161162	1" NPT	2.00"	2.74"	5000			METR-16	S1212-U70



Higher Pressure Connectors for Male 37° Flare - AN Standard

Part Number	Connects to Dim "A"	Diameter Dim "B"	Length Dim "C"	Rated PSI	Housing Style	Seal Material	Repair Kits	Main Seals Package (5)
METH-049040	-4 (7/16-20)	0.95"	1.76"	10,000	Swivel	Buna N	METR-049	S2070-0270B70
METH-069060	-6 (9/16-18)	1.20"	1.83"	10,000			METR-06	S1012-B70
METH-089080	-8 (3/4-16)	1.38"	2.00"	10,000			METR-08	S1015-B70
METH-109100	-10 (7/8-14)	1.51"	2.35"	10,000			S1016-B70	
METH-129120	-12 (1 1/16-12)	1.70"	2.52"	10,000			METR-12	S1018-B70

For Skydrol hydraulic fluid use, specify EPR seal material - "E".

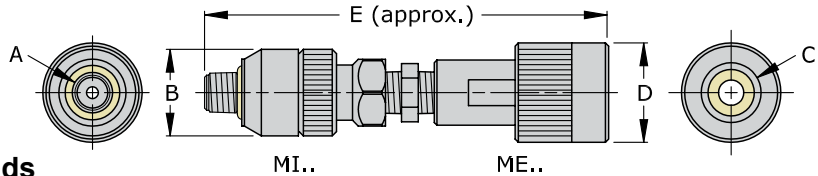
Example: Connector - METH-049040**E** Seal Set - S2070-0270**E**70

FasCal - "Twist to Connect" - Transition Connectors



TwistMates modular stainless steel design is ideal for combining to transition from one thread profile to another to deliver the same features found with individual connectors. Save more time with assembled transition connectors from **Fastest** when instrument calibration time is critical.

- For 1/8" male to 1/8", 1/4", 3/8" and 1/2" female NPT, BSPP and BSPT threads
- Instant connections to 4000 or 5000 psi eliminates tape, sealants and wrenches
- Internal swivel allows easy installation while connected to a supply line



Transition Connectors for NPT Threads

Part Number	Connects to Dim "A"	Dia. Dim "B"	Connects to Dim "C"	Dia. Dim "D"	Length Dim "E"	Rated PSI	Housing Style	Seal Material	MI .. Main Seals Package (5)	ME .. Main Seals Package (5)
MI022-ME021	1/8" NPT	0.81"	1/8" NPT	0.80"	3.74"	5000	Swivel	Urethane	S1109-U70	S1105-U70
MI022-ME041			1/4" NPT	0.93"	3.78"	5000				S1108-U70
MI022-ME061			3/8" NPT	1.20"	3.46"	4000				S1110-U70
MI022-ME081			1/2" NPT	1.36"	3.61"	4000				S1112-U70
MI042-ME021	1/4" NPT	1.00"	1/8" NPT	0.80"	3.95"	5000	Swivel	Urethane	S1111-U70	S1105-U70
MI042-ME041			1/4" NPT	0.93"	3.97"	5000				S1108-U70
MI042-ME061			3/8" NPT	1.20"	3.65"	4000				S1110-U70
MI042-ME081			1/2" NPT	1.36"	3.80"	4000				S1112-U70

Transition Connectors for BSPP Threads

Part Number	Connects to Dim "A"	Dia. Dim "B"	Connects to Dim "C"	Dia. Dim "D"	Length Dim "E"	Rated PSI	Housing Style	Seal Material	MI .. Main Seals Package (5)	ME .. Main Seals Package (5)
MI026-ME025	1/8" BSPP	0.81"	1/8" BSPP	0.80"	3.74"	5000	Swivel	Urethane	S1109-U70	S1105-U70
MI026-ME045			1/4" BSPP	0.93"	3.78"	5000				S1108-U70
MI026-ME065			3/8" BSPP	1.20"	3.46"	4000				S1110-U70
MI026-ME085			1/2" BSPP	1.36"	3.61"	4000				S1112-U70
MI046-ME025	1/4" BSPP	1.00"	1/8" BSPP	0.80"	3.95"	5000	Swivel	Urethane	S1111-U70	S1105-U70
MI046-ME045			1/4" BSPP	0.93"	3.97"	5000				S1108-U70
MI046-ME065			3/8" BSPP	1.20"	3.65"	4000				S1110-U70
MI046-ME085			1/2" BSPP	1.36"	3.80"	4000				S1112-U70

Transition Connectors for BSPT Threads

Part Number	Connects to Dim "A"	Dia. Dim "B"	Connects to Dim "C"	Dia. Dim "D"	Length Dim "E"	Rated PSI	Housing Style	Seal Material	MI .. Main Seals Package (5)	ME .. Main Seals Package (5)
MI026T-ME025T	1/8" BSPT	0.81"	1/8" BSPT	0.80"	3.74"	5000	Swivel	Urethane	S1109-U70	S1105-U70
MI026T-ME045T			1/4" BSPT	0.93"	3.78"	5000				S1108-U70
MI026T-ME065T			3/8" BSPT	1.20"	3.46"	4000				S1110-U70
MI026T-ME085T			1/2" BSPT	1.36"	3.61"	4000				S1112-U70
MI046T-ME025T	1/4" BSPT	1.00"	1/8" BSPT	0.80"	3.95"	5000	Swivel	Urethane	S1111-U70	S1105-U70
MI046T-ME045T			1/4" BSPT	0.93"	3.97"	5000				S1108-U70
MI046T-ME065T			3/8" BSPT	1.20"	3.65"	4000				S1110-U70
MI046T-ME085T			1/2" BSPT	1.36"	3.80"	4000				S1112-U70

FasCal - "Twist to Connect" - Flow Bench Step Tree Connectors



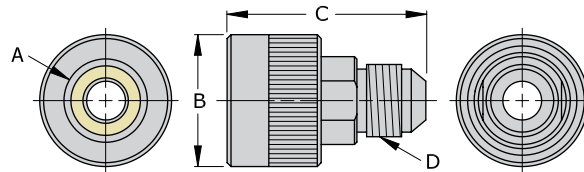
In many flow laboratories, calibrations have to be made on transmitters with different sized AN fittings. Making leak tight connections to all of these different sizes can be a challenging task. The **TwistMate** AN Step connectors are specifically designed to provide leak tight connections on Flow Calibration Benches without the use of tape or wrenches.

The AN Step connectors allow connection to a flow source with a male AN fitting of the required sizes from AN 6 up to AN 32. To step down to the appropriate AN female flow tube connector, AN reducer or step down connectors are available to match up with the application.

- Stainless steel styles provide incremental steps from AN 32 down to AN 4
- Instant connections eliminate tape, sealants and wrenches
- Reduces potential of damaging expensive tube style flow transmitters
- Field replaceable seals available in various materials



Swivel Flare Style



Bench Step Connectors for SAE 37° Flare - "AN" Standard (per SAE J514 or ISO 12151-5)

Part Number	Connects to Dim "A"	Diameter Dim "B"	Length Dim "C"	Term Thread Dim "D"	Rating PSI	Housing Style	Seal Material	Repair Kits	Main Seals Package (5)
MET-069040	-6 (9/16-18)	1.20"	1.82"	-4 (7/16-20)	5000	Swivel	Buna N	METR-06	S1012-B70
MET-089060	-8 (3/4-16)	1.38"	1.90"	-6 (9/16-18)	4000			METR-08	S1015-B70
MET-109080	-10 (7/8-14)	1.51"	2.25"	-8 (3/4-16)	4000			S1016-B70	
MET-129100	-12 (1 1/16-12)	1.70"	2.52"	-10 (7/8-14)	4000			METR-12	S1018-B70
MET-169120	-16 (1 5/16-12)	1.99"	2.70"	-12 (1 1/16-12)	1000			METR-16	S1120-B70
MET-209160	-20 (1 5/8-12)	2.37"	3.21"	-16 (1 5/16-12)	1000			METR-20	S1124-B70
MET-249200	-24 (1 7/8-12)	2.50"	3.38"	-20 (1 5/8-12)	750			METR-24	S1129-B70
MET-329240	-32 (2 1/2-12)	3.25"	3.49"	-24 (1 7/8-12)	750			METR-329	S1227-B70

Notes:

Optional seal materials available are FKM (Viton) and EPDM.

Examples: MET-069040**Y** = FKM MET-069040**E** = EPDM

FasCal Accessories - Hose Assemblies



Hose shown with optional **TwistMate** connectors

FasTest high pressure hose assemblies are ideal for fast, modular connections in small hard to reach places where instrument calibration is necessary.

- 1/8" male to 1/8" male NPT threads mate to any **FasCal** connector
- Available in convenient 18, 36 and 72" lengths
- Pressure rated to 10,000 psi

Part Number	Hose Length	Rating PSI	Hose Material	Connector Material
HP022X18	18 Inches	10,000	Polyamide/Aramid	Stainless Steel
HP022X36	36 Inches			
HP022X72	72 Inches			

Note: For assembled configurations with 1/8" NPT male connectors, consult factory.

FasCal - Basic Calibration Kits



The **FasCal** Basic Calibration Kit includes basic connectors needed to instantly improve your calibration throughput of transmitters, control valves and pressure sensing instruments and is ideal for every service vehicle in your fleet.

Custom kit configurations available - consult factory

Basic Calibration Kit - FSC01

	Part Number	Description	Specifications	Main Seals Package (5)
For Female Threads	MIT-022021	1/8" Male NPT Swivel Connector	Page 7	S1109-U70
	MIT-042021	1/4" Male NPT Swivel Connector		S1111-U70
	MIT-082021	1/2" Male NPT Swivel Connector		S1209-U70
	MIT-042021TM	1/4" Male NPT Swivel Connector for IEC Transmitter Ports	Page 6	S1111-U70
For Male Threads	MET-021021	1/8" Female NPT Swivel Connector	Page 9	S1105-U70
	MET-041021	1/4" Female NPT Swivel Connector		S1108-U70
	MET-081021	1/2" Female NPT Swivel Connector		S1112-U70
Access.	FCC01	Plastic Tote Case		
	STR012	Seal Service Tool		

FasCal - Basic Calibration Kits

Basic Calibration Kit, BSPP Threads - FSC01-BSPP

	Part Number	Description	Specifications	Main Seals Package (5)
For Female Threads	MIT-026021	1/8" Male BSPP Swivel Connector	Page 7	S1109-U70
	MIT-046021	1/4" Male BSPP Swivel Connector		S1111-U70
	MIT-086021	1/2" Male BSPP Swivel Connector		S1209-U70
	MIT-042021TM	1/4" Male NPT Swivel Connector for IEC Transmitter Ports	Page 6	S1111-U70
For Male Threads	MET-025021	1/8" Female BSPP Swivel Connector	Page 9	S1105-U70
	MET-045021	1/4" Female BSPP Swivel Connector		S1108-U70
	MET-085021	1/2" Female BSPP Swivel Connector		S1112-U70
Access.	FCC01	Plastic Tote Case		
	STR012	Seal Service Tool		

Basic Calibration Kit, BSPT Threads - FSC01-BSPT

	Part Number	Description	Specifications	Main Seals Package (5)
For Female Threads	MIT-026T021	1/8" Male BSPT Swivel Connector	Page 7	S1109-U70
	MIT-046T021	1/4" Male BSPT Swivel Connector		S1111-U70
	MIT-086T021	1/2" Male BSPT Swivel Connector		S1209-U70
	MIT-042021TM	1/4" Male NPT Swivel Connector for IEC Transmitter Ports	Page 6	S1111-U70
For Male Threads	MET-025T021	1/8" Female BSPT Swivel Connector	Page 9	S1105-U70
	MET-045T021	1/4" Female BSPT Swivel Connector		S1108-U70
	MET-085T021	1/2" Female BSPT Swivel Connector		S1112-U70
Access.	FCC01	Plastic Tote Case		
	STR012	Seal Service Tool		

FasCal - Gauge Calibration Kit



The **FasCal** 5000 psi Gauge Calibration Kit includes all of the essential metrology lab items for higher pressure calibration needs often found in the military and aerospace industries. This collection of connectors and manifold are ideal for high volume efficient calibration of transmitters, gauges, control valves and pressure sensing instruments.

Custom kit configurations available - consult factory

5000 psi Calibration Kit - FSC-02G

	Part Number	Description	Specifications
Manifold	FF010	Calibration Manifold 10,000 psi 4 port	Page 5
For Male Threads	HPB-041021	1/4" NPT Sleeve Actuated Connector	Page 6
	HPB-081021	1/2" NPT Sleeve Actuated Connector	
	MET-021021	1/8" Female NPT Swivel Connector	Page 14
	MET-061021	3/8" Female NPT Swivel Connector	
	MET-049021	-4 (7/16-20) - #4 AN Female Swivel Connector	
	MET-069021	-6 (9/16-18) - #6 AN Female Swivel Connector	
	MET-06-18997-021	9/16"-18 (Mil Spec 18997) Female Swivel Connector	
For Female Threads	MIT-022021	1/8" Male NPT Swivel Connector (2 pieces)	Page 12
	MIT-022021X	1/8" Male NPT Non Swivel Connector (7 pieces)	Page 13
	MIT-022P	1/8" Male NPT Plug (2 pieces)	
Accessories	APN022	1/8" Male NPT to 1/8" Male NPT Fitting (7 pieces)	Page 5
	APP02H	1/8" NPT Male Hex Plug	
	APP04H	1/4" NPT Male Hex Plug (2 pieces)	
	APP06H	3/8" NPT Male Hex Plug	
	APP08H	1/2" NPT Male Hex Plug	
	HP022X036	1/8" Male NPT to 1/8" Male NPT 36" Hose Assembly	Page 22
	FCC02	Plastic Cabinet Case	
	STR012	Seal Service Tool	
	FDC3	Seal Lubrication	

	Part Number
Replacement Seal Sets	S1105-U70
	S1008-B70
	S1110-U70
	S1109-U70
	S1112-B70
	S1012-B70
	S2070-0270B70

FasCal - Master Lab Calibration Kits



The **FasCal** Master Lab Calibration Kit includes practically every connector needed for your calibration shop or service vehicle needs. The popular sleeve and lever actuated connectors combined with the “*twist to connect*” family of transition connectors are ideal for high volume efficient calibration of transmitters, gauges, control valves and pressure sensing instruments.

Custom kit configurations available - consult factory

Master Lab Calibration Kit, NPT Threads - FSC02

	Part Number	Description	Specifications	
For Compression	HPB-CF04021	1/4" (7/16-20) Sleeve Actuated Connector for <i>Swagelok</i>	Page 6	
	MET-CF04021	1/4" (7/16-20) Connector for <i>Swagelok</i>	Page 16	
	MET-CF06021	3/8" (9/16-20) Connector for <i>Swagelok</i>		
	MET-CF08021	1/2" (3/4-20) Connector for <i>Swagelok</i>		
	MET-CF04C	1/4" (7/16-20) Cap for <i>Swagelok</i>		
	MET-CF06C	3/8" (9/16-20) Cap for <i>Swagelok</i>		
	MET-CF08C	1/2" (3/4-20) Cap for <i>Swagelok</i>		
IEC	L042021TM	1/4" Male NPT Lever Actuated Connector		Page 8
	MIT-042021TM	1/4" Male NPT Swivel Connector	Page 14	
For Male Threads	MET-021021	1/8" Female NPT Swivel Connector		
	MET-041021	1/4" Female NPT Swivel Connector		
	MET-061021	3/8" Female NPT Swivel Connector		
	MET-081021	1/2" Female NPT Swivel Connector		
	MET-021C	1/8" Female NPT Cap		Page 15
	MET-041C	1/4" Female NPT Cap		
	MET-061C	3/8" Female NPT Cap		
MET-081C	1/2" Female NPT Cap			
For Female Threads	MIT-022021	1/8" Male NPT Swivel Connector	Page 12	
	MIT-042021	1/4" Male NPT Swivel Connector		
	MIT-062021	3/8" Male NPT Swivel Connector		
	MIT-082021	1/2" Male NPT Swivel Connector		
	MIT-022P	1/8" Male NPT Plug	Page 13	
	MIT-042P	1/4" Male NPT Plug		
	MIT-062P	3/8" Male NPT Plug		
Adapters - Male / Female	MI022-ME021	1/8" Male NPT to 1/8" Female NPT Swivel Connector	Page 20	
	MI022-ME041	1/8" Male NPT to 1/4" Female NPT Swivel Connector		
	MI022-ME061	1/8" Male NPT to 3/8" Female NPT Swivel Connector		
	MI022-ME081	1/8" Male NPT to 1/2" Female NPT Swivel Connector		
	MI042-ME021	1/4" Male NPT to 1/8" Female NPT Swivel Connector		
	MI042-ME041	1/4" Male NPT to 1/4" Female NPT Swivel Connector		
	MI042-ME061	1/4" Male NPT to 3/8" Female NPT Swivel Connector		
MI042-ME081	1/4" Male NPT to 1/2" Female NPT Swivel Connector			
Accessories	APN022	1/8" Male NPT to 1/8" Male NPT Fitting	Page 5	
	HP022X036	1/8" Male NPT to 1/8" Male NPT 36" Hose Assembly	Page 22	
	FCC02	Plastic Cabinet Case		
	STR012	Seal Service Tool		

	Part Number
Replacement Seal Sets	S1008-B70
	S1011-B70
	S1013-B70
	S1105-U70
	S1108-U70
	S1109-U70
	S1110-U70
	S1111-U70
	S1112-U70
	S1113-U70
	S1209-U70
SL042B	

FasCal - Master Lab Calibration Kits

Master Lab Calibration Kit, BSPP Threads - FSC02-BSPP

	Part Number	Description	Specifications	
For Compression	HPB-CF04021	1/4" (7/16-20) Sleeve Actuated Connector for <i>Swagelok</i>	Page 6	
	MET-CF04021	1/4" (7/16-20) Connector for <i>Swagelok</i>	Page 16	
	MET-CF06021	3/8" (9/16-20) Connector for <i>Swagelok</i>		
	MET-CF08021	1/2" (3/4-20) Connector for <i>Swagelok</i>		
	MET-CF04C	1/4" (7/16-20) Cap for <i>Swagelok</i>		
	MET-CF06C	3/8" (9/16-20) Cap for <i>Swagelok</i>		
	MET-CF08C	1/2" (3/4-20) Cap for <i>Swagelok</i>		
	IEC	L042021TM		1/4" Male NPT Lever Actuated Connector
MIT-042021TM		1/4" Male NPT Swivel Connector		
For Male Threads	MET-025021	1/8" Female BSPP Swivel Connector	Page 14	
	MET-045021	1/4" Female BSPP Swivel Connector		
	MET-065021	3/8" Female BSPP Swivel Connector		
	MET-085021	1/2" Female BSPP Swivel Connector		
	MET-025C	1/8" Female BSPP Cap	Page 15	
	MET-045C	1/4" Female BSPP Cap		
	MET-065C	3/8" Female BSPP Cap		
	MET-085C	1/2" Female BSPP Cap		
For Female Threads	MIT-026021	1/8" Male BSPP Swivel Connector	Page 12	
	MIT-046021	1/4" Male BSPP Swivel Connector		
	MIT-066021	3/8" Male BSPP Swivel Connector		
	MIT-086021	1/2" Male BSPP Swivel Connector		
	MIT-026P	1/8" Male BSPP Plug	Page 13	
	MIT-046P	1/4" Male BSPP Plug		
	MIT-066P	3/8" Male BSPP Plug		
	MIT-086P	1/2" Male BSPP Plug		
Adapters - Male \ Female	MI026-ME025	1/8" Male BSPP to 1/8" Female BSPP Swivel Connector	Page 20	
	MI026-ME045	1/8" Male BSPP to 1/4" Female BSPP Swivel Connector		
	MI026-ME065	1/8" Male BSPP to 3/8" Female BSPP Swivel Connector		
	MI026-ME085	1/8" Male BSPP to 1/2" Female BSPP Swivel Connector		
	MI046-ME025	1/4" Male BSPP to 1/8" Female BSPP Swivel Connector		
	MI046-ME045	1/4" Male BSPP to 1/4" Female BSPP Swivel Connector		
	MI046-ME065	1/4" Male BSPP to 3/8" Female BSPP Swivel Connector		
	MI046-ME085	1/4" Male BSPP to 1/2" Female BSPP Swivel Connector		
Accessories	APN022	1/8" Male NPT to 1/8" Male NPT Fitting	Page 5	
	HP022X036	1/8" Male NPT to 1/8" Male NPT 36" Hose Assembly	Page 22	
	FCC02	Plastic Cabinet Case		
	STR012	Seal Service Tool		

	Part Number
Replacement Seal Sets	S1008-B70
	S1011-B70
	S1013-B70
	S1105-U70
	S1108-U70
	S1109-U70
	S1110-U70
	S1111-U70
	S1112-U70
	S1113-U70
	S1209-U70
	SL042B

FasCal - Master Lab Calibration Kits

Master Lab Calibration Kit, BSPT Threads - FSC02-BSPT

	Part Number	Description	Specifications
Compression	HPB-CF04021	1/4" (7/16-20) Sleeve Actuated Connector for <i>Swagelok</i>	Page 6
	MET-CF04021	1/4" (7/16-20) Connector for <i>Swagelok</i>	Page 16
	MET-CF06021	3/8" (9/16-20) Connector for <i>Swagelok</i>	
	MET-CF08021	1/2" (3/4-20) Connector for <i>Swagelok</i>	
	MET-CF04C	1/4" (7/16-20) Cap for <i>Swagelok</i>	
	MET-CF06C	3/8" (9/16-20) Cap for <i>Swagelok</i>	
	MET-CF08C	1/2" (3/4-20) Cap for <i>Swagelok</i>	
	IEC	L042021TM	
MIT-042021TM		1/4" Male NPT Swivel Connector	
For Male Threads	MET-025T021	1/8" Female BSPT Swivel Connector	Page 14
	MET-045T021	1/4" Female BSPT Swivel Connector	
	MET-065T021	3/8" Female BSPT Swivel Connector	
	MET-085T021	1/2" Female BSPT Swivel Connector	
	MET-025TC	1/8" Female BSPT Cap	Page 15
	MET-045TC	1/4" Female BSPT Cap	
	MET-065TC	3/8" Female BSPT Cap	
	MET-085TC	1/2" Female BSPT Cap	
For Female Threads	MIT-026T021	1/8" Male BSPT Swivel Connector	Page 12
	MIT-046T021	1/4" Male BSPT Swivel Connector	
	MIT-066T021	3/8" Male BSPT Swivel Connector	
	MIT-086T021	1/2" Male BSPT Swivel Connector	
	MIT-026TP	1/8" Male BSPT Plug	Page 13
	MIT-046TP	1/4" Male BSPT Plug	
	MIT-066TP	3/8" Male BSPT Plug	
	MIT-086TP	1/2" Male BSPT Plug	
Male \ Female Adapters	MI026T-ME025T	1/8" Male BSPT to 1/8" Female BSPT Swivel Connector	Page 20
	MI026T-ME045T	1/8" Male BSPT to 1/4" Female BSPT Swivel Connector	
	MI026T-ME065T	1/8" Male BSPT to 3/8" Female BSPT Swivel Connector	
	MI026T-ME085T	1/8" Male BSPT to 1/2" Female BSPT Swivel Connector	
	MI046T-ME025T	1/4" Male BSPT to 1/8" Female BSPT Swivel Connector	
	MI046T-ME045T	1/4" Male BSPT to 1/4" Female BSPT Swivel Connector	
	MI046T-ME065T	1/4" Male BSPT to 3/8" Female BSPT Swivel Connector	
	MI046T-ME085T	1/4" Male BSPT to 1/2" Female BSPT Swivel Connector	
Accessories	APN022	1/8" Male NPT to 1/8" Male NPT Fitting	Page 5
	HP022X036	1/8" Male NPT to 1/8" Male NPT 36" Hose Assembly	Page 22
	FCC02	Plastic Cabinet Case	
	STR012	Seal Service Tool	

	Part Number
Replacement Seal Sets	S1008-B70
	S1011-B70
	S1013-B70
	S1105-U70
	S1108-U70
	S1109-U70
	S1110-U70
	S1111-U70
	S1112-U70
	S1113-U70
	S1209-U70
	SL042B

Additional Products and Brochures from FasTest



TwistMate Connectors

Complete product line of manually threaded connectors featuring pressure assisted sealing technology for leak and pressure testing applications.



Electronic Tool System (ETS)

Electronic sealing device for leak test applications requiring ultimate seal control and clean operation.



Refrigeration Connectors

The **CoreMax** system of high flow processing valves and connectors for the refrigeration manufacturing and service industry.

Additional Options and Services from FasTest

ReConnect - Our connector refurbishment and competitor replacement program ensures proper connector operation and performance and extends the service life and warranty of your investment. Connectors routinely maintained can be refurbished or replaced economically relative to the cost of a new connector replacement. Visit www.fastestinc.com or contact **FasTest** for details.

ReConnect

Custom Applications - Customized products are available for unusual or unique connection requirements.

Limited Express Warranty

FasTest Inc. warrants its products against defects in workmanship and materials for 12 months from the date of sale by FasTest Inc. or its authorized distributors. This warranty is void if the product is misused, tampered with or used in a manner that is contrary to FasTest Inc.'s written recommendations and/or instructions.

FasTest Inc. does not warrant the suitability of the product for any particular application. Determining product application suitability is solely the customer's responsibility. FasTest Inc. is not liable for consequential or other damages including, but not limited to, loss, damage, personal injury, or any other expense directly or indirectly arising from the use of or inability to use its products either separately or in combination with other products.

ALL OTHER WARRANTIES EXPRESS OR IMPLIED, WHETHER ORAL, WRITTEN OR IN ANY OTHER FORM, INCLUDING BUT NOT LIMITED TO WARRANTIES OF MERCHANTABILITY OR FITNESS FOR A PARTICULAR PURPOSE ARE EXPRESSLY EXCLUDED.

The sole and exclusive remedy under this warranty is limited to replacement of the product or an account credit in the amount of the original selling price, at the option of FasTest Inc. All allegedly defective products must be returned prepaid transportation to FasTest Inc., together with information describing the product's performance, unless disposition in the field is authorized in writing by FasTest Inc.

Notifications and Copyright

Specifications in this brochure are subject to change without notice. FasTest also reserves the right to make modifications and makes no guarantee of the accuracy of the information contained herein.

© 2011 FasTest Inc. All rights reserved. No part of this publication may be reproduced without written permission.