

KEW DIGITAL INSULATION/CONTINUITY TESTERS

Model 3005A and 3007A are microprocessor controlled digital insulation/continuity testers.

They not only permit insulation resistance measurement on three rated test voltages (250V, 500V and 1000V) and continuity testing, but also offer a number of advanced features such as a bargraph reading of insulation resistance, auto null function for continuity testing, Trac-Lok function to save battery power (Model 3007A only), etc.

Selection Guide

MODEL	3005A	3007A
250V test voltage	●	●
500V test voltage	●	●
1000V test voltage	●	●
200mA continuity range	●	●
Live circuit warning	●	●
Illuminated scale		●
Automatic discharge	●	●
Trac-lok for extended battery life		●

MODEL 3005A

CE



MODEL 3007A

CE



Features (3005A/3007A)

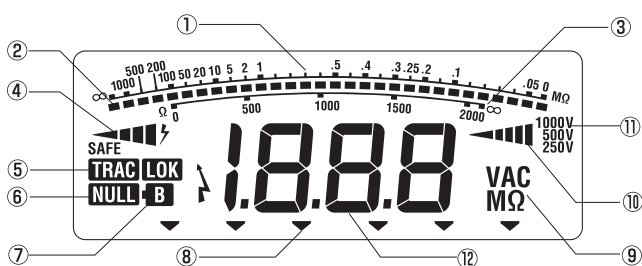
- Bargraph to display insulation resistance.
- Displays the value of external AC voltage along with flashing symbol.
- Auto null function to automatically subtract the test lead resistance before displaying the real continuity resistance value.
- Trac-Lok mode to conserve battery life on insulation and continuity tests (Model 3007A only).
- Live circuit warning beeper.
- Releasing the test button automatically discharges the charges stored in the circuit under test.
- Backlight function to view the test results in dimly lit areas (Model 3007A only).
- 200mA continuity measuring current to IEC 61557.
- Minimum 1mA current on insulation tests to IEC 61557.

Accessory

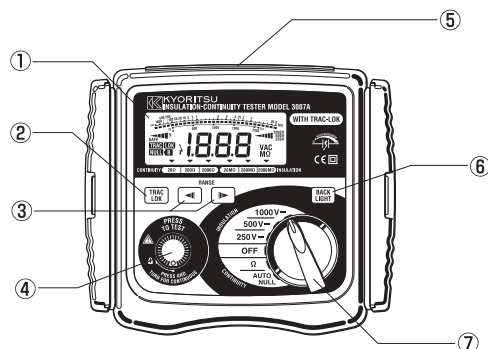
Model 7122 Test Leads



LCD DISPLAY



Layout Diagram



- ① LCD DISPLAY
- ② TRAC-LOK SWITCH (Model 3007A only)
- ③ RANGE SELECTOR SWITCH
- ④ TEST BUTTON
- ⑤ CONNECTOR
- ⑥ BACK LIGHT SWITCH (Model 3007A only)
- ⑦ FUNCTION SWITCH

- ① INSULATION RESISTANCE SCALE
- ② BAR GRAPH
- ③ CONTINUITY SCALE
- ④ LIVE CIRCUIT WARNING
- ⑤ TRAC-LOK MODE
- ⑥ AUTONULL OPERATION
- ⑦ BATTERY VOLTAGE WARNING
- ⑧ CONTINUITY/INSULATION RESISTANCE RANGE SETTING
- ⑨ UNIT
- ⑩ OUTPUT VOLTAGE GRAPH (INSULATION RESISTANCE)
- ⑪ OUTPUT VOLTAGE RANGE
- ⑫ MEASUREMENT VALUES

KEW INSULATION/CONTINUITY TESTERS

The Model 3131A offers unmatched performance, and feature including test lead resistance zero adjustment for time-saving continuous operation, a clear ease to read illuminated scale, and a live circuit warning.

MODEL 3131A



Accessory

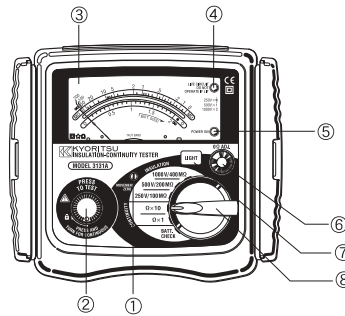
Model 7122 Test Leads



Features

- Test insulation up to 100M Ω at 250V, 200M Ω at 500V, 400M Ω at 1000V and continuity up to 20 Ω .
- LIVE circuit warning lamp plus audible warning.
- Automatic discharge of circuit capacitance when TEST button is released.
- Fuse protected (continuity range only).
- Battery check LED.
- Front panel zero adjust.
- Back light function to facilitate working at dimly lit situations.
- PRESS TO TEST button with lock down feature.

Layout Diagram



- ① METER MOVEMENT ZERO ADJUST
- ② TEST BUTTON
- ③ SCALE PLATE
- ④ LIVE CIRCUIT WARNING LED
- ⑤ POWER-ON INDICATION LED
- ⑥ CONTINUITY ZERO ADJUST
- ⑦ LIGHT SWITCH
- ⑧ RANGE SELECTOR SWITCH

Specifications

MODEL	3005A/3007A	3131A	3132A
Insulation Resistance			
Test Voltage	250V/500V/1000V	250V/500V/1000V	250V/500V/1000V
Measuring Ranges (Mid-scale Value)	20M Ω /200M Ω /2000M Ω	100M Ω /200M Ω /400M Ω (1M Ω) (2M Ω) (4M Ω)	100M Ω /200M Ω /400M Ω (1M Ω) (2M Ω) (4M Ω)
Output Voltage on open circuit	Rated test voltage+20%, -0%	Rated test voltage+20%, -0%	Rated test voltage+20%, -0%
Nominal Current	1mA DC min.	1mA DC min.	1mA DC min.
Output Short Circuit Current	1.5 mA DC approx.	1.3 mA DC approx.	1.3 mA DC approx.
Accuracy	$\pm 1.5\%rdg \pm 5dgt$ (20M Ω /200M Ω) $\pm 10\%rdg \pm 3dgt$ (2000M Ω)	0.05-10M Ω /0.1-20M Ω /0.2-40M Ω (Accuracy Guaranteed Ranges) $\pm 5\%$ of indicated value	0.1-10M Ω /0.2-20M Ω /0.4-40M Ω (Accuracy Guaranteed Ranges) $\pm 5\%$ of indicated value
Continuity			
Measuring Ranges (Mid-scale Value)	20 Ω /200 Ω /2000 Ω	2 Ω /20 Ω (1 Ω)(10 Ω)	3 Ω /500 Ω (1.5 Ω) (20 Ω)
Output Voltage on open circuit	7~12V DC	4~9V DC	4.1V DC approx.
Measuring Current	200mA DC min.	200mA DC min.	210mA DC min.
Accuracy	$\pm 1.5\%rdg \pm 5dgt$ (20 Ω) $\pm 1.5\%rdg \pm 3dgt$ (200 Ω /2000 Ω)	$\pm 3\%$ of scale length	$\pm 3\%$ of scale length
AC Voltage			
AC Voltage range	0-600V AC	—	0-600V AC
Accuracy	$\pm 5\%rdg \pm 3dgt$	—	$\pm 5\%$ of scale length
General			
Safety Standard	IEC61010-1 CAT. III 300V Pollution Degree 2 IEC61010-2-031 IEC61557-1/2/4	IEC61010-1 CAT. III 300V Pollution Degree 2 IEC61010-2-031 IEC61557-1/2/4	IEC61010-1 CAT. III 300V Pollution Degree 2 IEC61010-2-031 IEC61557-1/2/4
IP Rating	IEC60529-IP54	IEC60529-IP54	IEC60529-IP54
EMC Standard	IEC61326-1	IEC61326-1	IEC61326-1
Withstand Voltage	3700V AC for 1 minute	3700V AC for 1 minute	3700V AC for 1 minute
Power Source	R6P(AA)(1.5V)×8	R6P(AA)(1.5V)×6	R6P(AA)(1.5V)×6
Dimensions	185(L)×167(W)×89(D)mm	185(L)×167(W)×89(D)mm	106(L)×160(W)×72(D)mm
Weight	990g approx.	860g approx.	560g approx.
Accessories	7122(Test leads) Pouch for test leads 8923(F500mA/600V fuse)×2 R6P(AA)×8, Shoulder Strap Instruction Manual	7122(Test leads) Pouch for test leads 8923(F500mA/600V fuse)×2 R6P(AA)×6, Shoulder Strap Instruction Manual	7122(Test leads) Pouch for test leads 8923(F500mA/600V fuse)×2 R6P(AA)×6, Shoulder Strap Instruction Manual

KEW INSULATION/CONTINUITY TESTERS

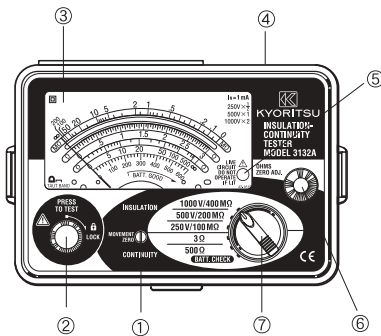
The Model 3132A is a highly compact and easy to use insulation and continuity tester.

Designed to strict IEC61010-1 safety standards, it has an IP protection rating of IP54 and is ideally suited to more arduous environments. The instrument offers 3 insulation test ranges, a 3Ω continuity range and a 500Ω resistance range.

MODEL 3132A



Layout Diagram



- ① METER MOVEMENT ZERO ADJUST
- ② TEST BUTTON
- ③ SCALE PLATE
- ④ INPUT CONNECTOR
- ⑤ LIVE CIRCUIT LAMP
- ⑥ OHMS ZERO ADJUST
- ⑦ RANGE SELECTOR SWITCH

Specifications

MODEL	Model 3001B	Model 3111V
Insulation Resistance		
Test Voltage	500V/1000V	250V/500V/1000V
Measuring Ranges (Mid-scale Value)	200MΩ(2/20/200MΩ) autoranging	0-100MΩ/0-200MΩ/0-400MΩ (1MΩ) (2MΩ) (4MΩ)
Output Voltage on open circuit	Rated test voltage +12%	Rated test voltage ±10%
Rated Current	1~1.2mA DC approx.	0.8mA DC approx.
Output Short Circuit Current	1.5mA DC approx.	2mA DC approx.
Accuracy Guaranteed Ranges	—	0.05-10MΩ/0.1-20MΩ/0.2-40MΩ
Accuracy	±2%rdg±5dgt	±5% of indicated value
Continuity Test		
Measuring Ranges (Mid-scale Value)	200Ω(20/200Ω) autoranging	50Ω (20Ω)
Output Voltage on open circuit	600mV DC approx.	0.6V DC approx.
Output Short Circuit Current	6mA approx.	300mA approx.
Accuracy	±2%rdg±0.1Ω±1dgt	±3% of scale length
General		
Withstand Voltage	2200V AC for 1 minute	2200V AC for 1 minute
Power Source	R6P(AA)(1.5V)×8	R6P(AA)(1.5V)×8
Dimensions	144(L)×93(W)×61(D)mm	143(L)×93(W)×63(D)mm
Weight	460g approx.	500g approx.
Accessories	7025(Test leads) Pouch for test leads fuse 520HF 250V/0.5A 9050(Carrying Case) R6P(AA)×8 Instruction Manual	7025(Test leads) fuse 250V/1A 9038(Carrying Case) R6P(AA)×8 Instruction Manual

Selection Guide

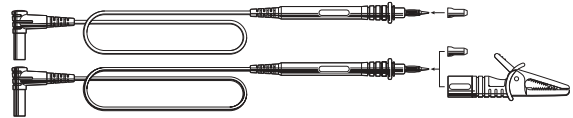
MODEL	3131A	3132A
3 range insulation test voltage	●	●
200mA continuity	●	●
Live circuit warning	●	●
AC Voltage range		●
Illuminated scale	●	
Automatic discharge	●	●
IP54 rated	●	●

Features

- Dust and drip proof construction. (designed to IEC60529 IP54)
- Designed to meet IEC61010-1 and IEC61557 safety standard.
- 1mA rated test current at the minimum resistance.
- 200mA measuring current on continuity testing.
- Automatic discharge of circuit capacitance. (Any charge stored in the circuit under test will be automatically discharged after testing.)
- Live circuit warning buzzer and neon lamp.
- Small and lightweight. Shock resistant new case material.
- AC voltmeter with linear, easy-to-read scale.
- Operates on AA, R6P×6 dry batteries.

Accessory

Model 7122 Test Leads



MODEL 3001B

Compact and lightweight digital Insulation/Continuity tester.



MODEL 3111V

Compact, lightweight and portable Insulation/Continuity tester.

